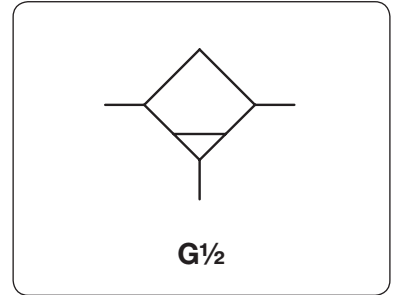


Description	The condensate drain collects any liquid which has accumulated in the compressed air circuit. It is to be installed at the lowest point in the compressed air plant.	
Bowl	plastic version with bowl guard at D608	
Drain	metal version with or without sight glass at D11, with sight glass at D608	
Operating pressure	D11: internal automatic drain as standard for max. 12 bar, optionally manual drain D608: external automatic drain as standard for max. 18 bar, optionally internal drain for max. 16 bar without manual drain	
Temperature range	max. 12 bar at plastic bowl max. 12 bar or 16 bar at metal bowl with internal automatic drain max. 18 bar at metal bowl with external automatic drain	
Material	0 °C to 50 °C / 32 °F to 122 °F for plastic bowl 0 °C to 70 °C / 32 °F to 158 °F for metal bowl with sight glass 0 °C to 80 °C / 32 °F to 176 °F for metal bowl without sight glass	
	Body: zinc die-cast	Sight glass: polyurethane
	Bowl: polyurethane or zinc die-cast	



Dimensions		Bowl	Automatic	Operating	Connection	Order
A	B	Design	Capacity	pressure	thread	number
mm	mm	made of / with	l	max. bar	G	

Condensate / tank drain						with automatic drain		D11/D608	
54	134	metal	0.12	SA605MD	12	G½	D11-04		
		metal / sight glass					D11-04W		
95	159	plastic / bowl guard	0.25	SA603D	12	G½	D608-04D		
		metal / sight glass			18		D608-04DW		



D11-04W

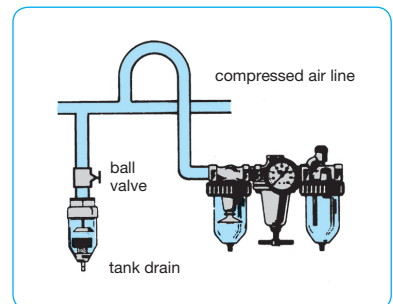
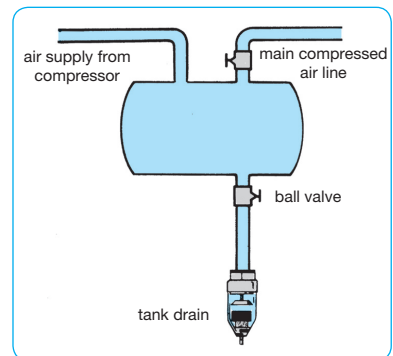
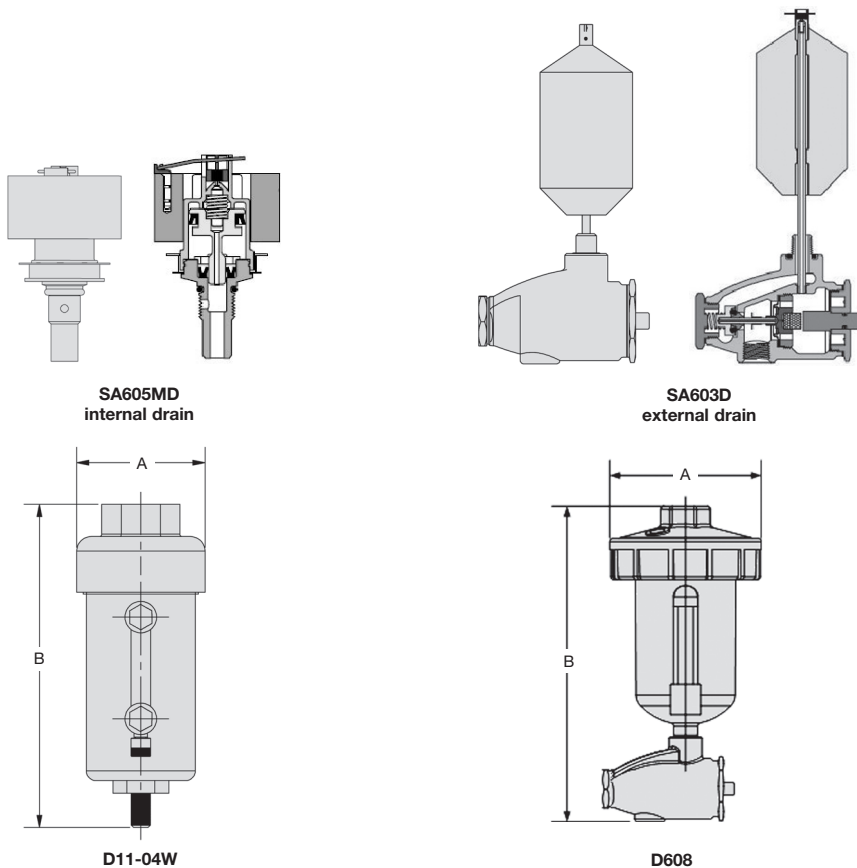
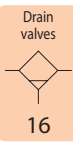
D11-04

Special options, add the appropriate letter

NPT	connection thread		D...-04.N
manual drain	instead of automatic drain	for D11	D11-04.H
manual drain	instead of automatic drain	for D608	D608-04.H
automatic drain	internal, SA702MD,	max. 16 bar	for D608 D608-04.R



D608-04DW



examples of use